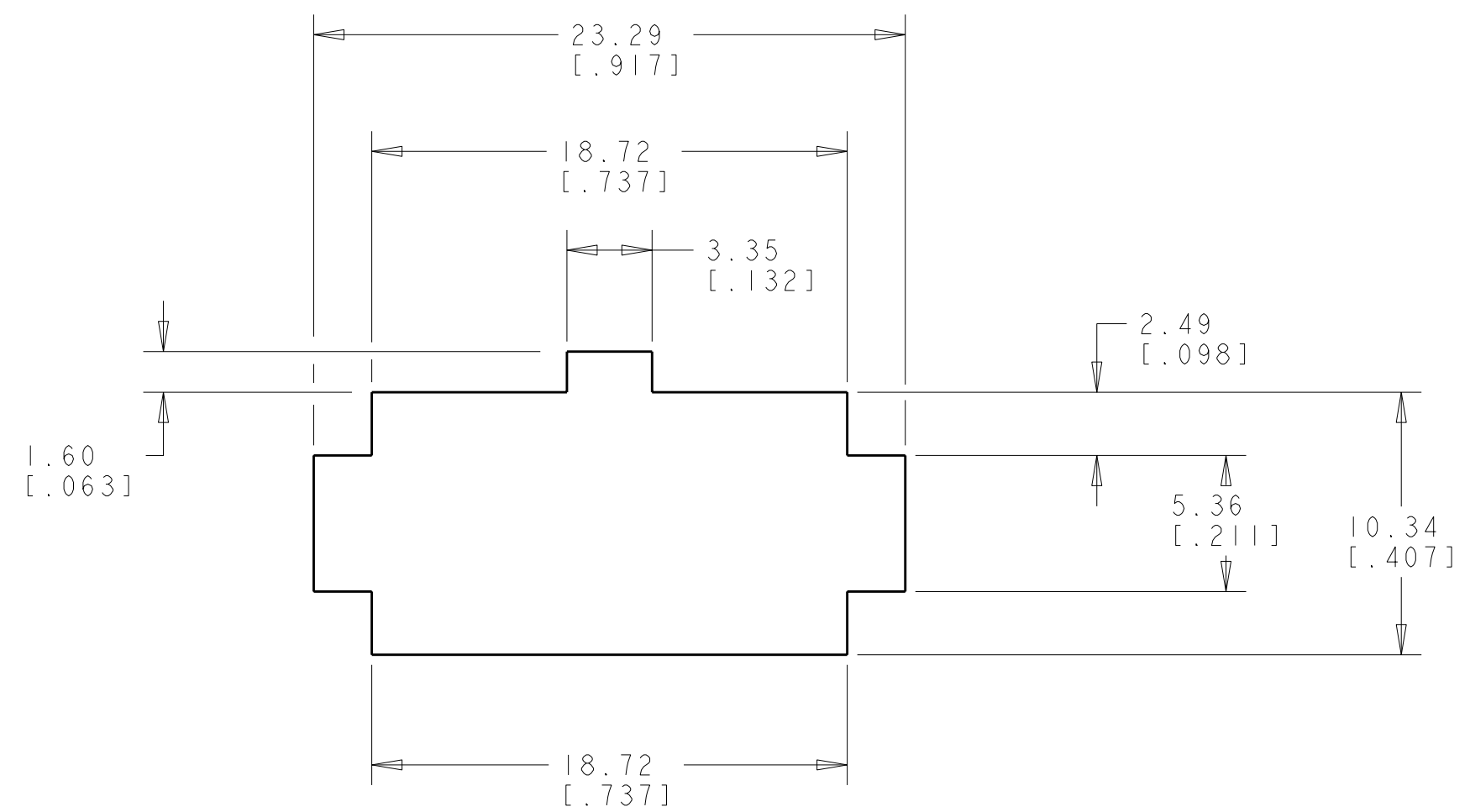
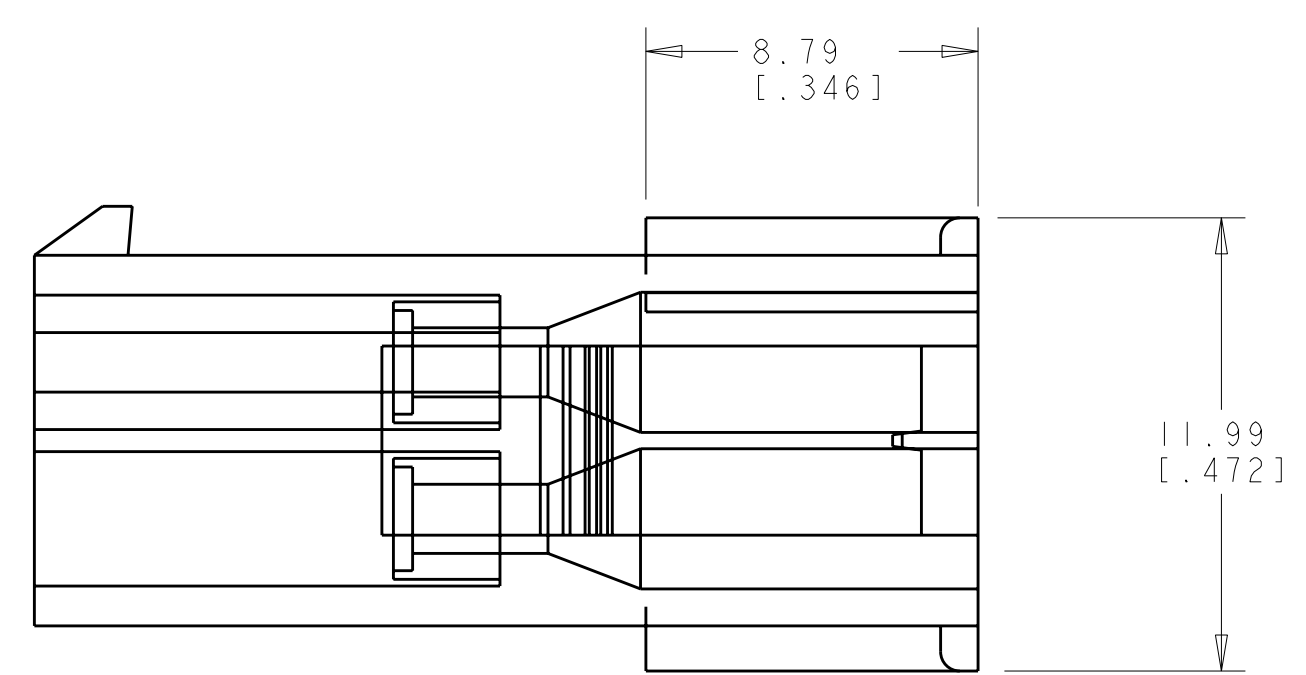
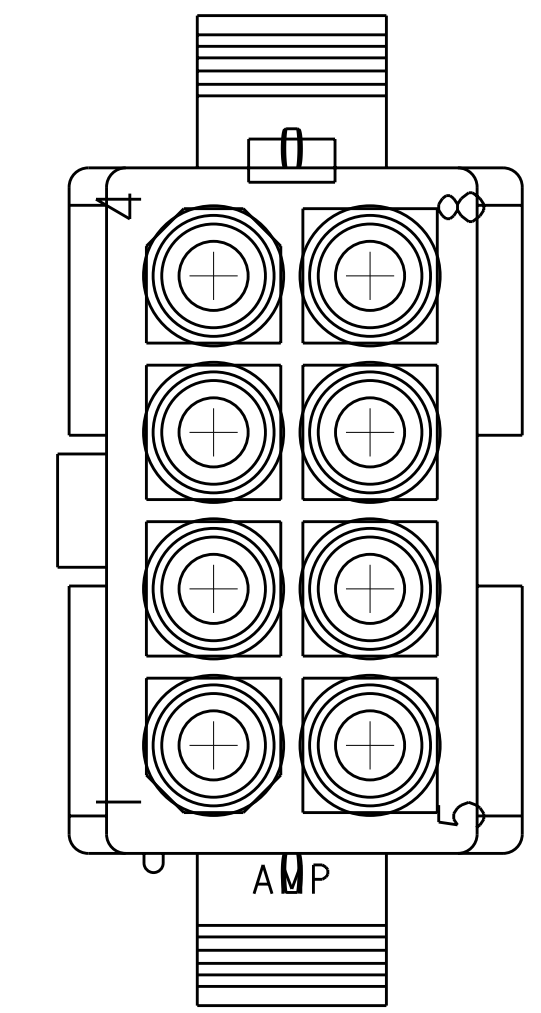
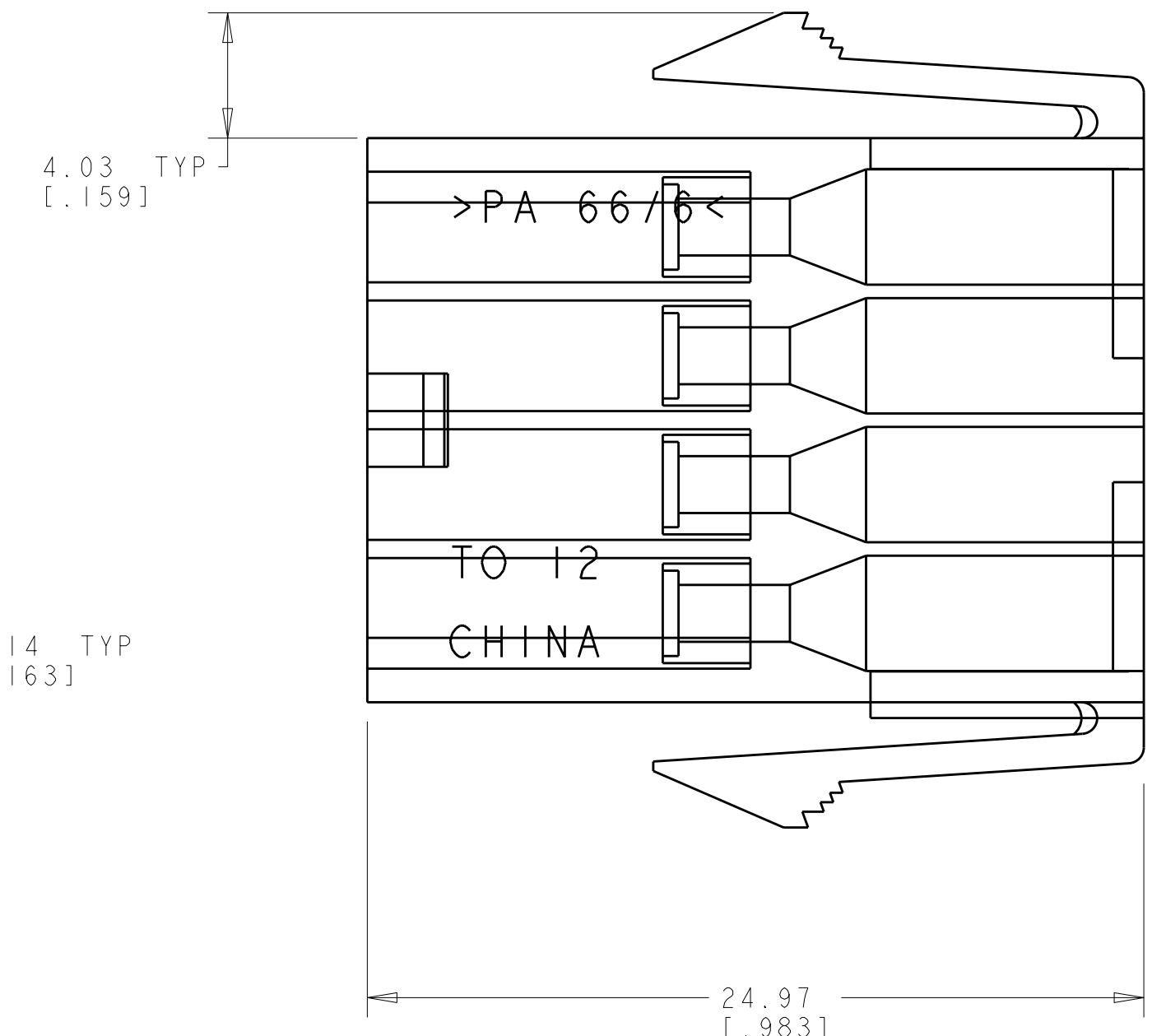
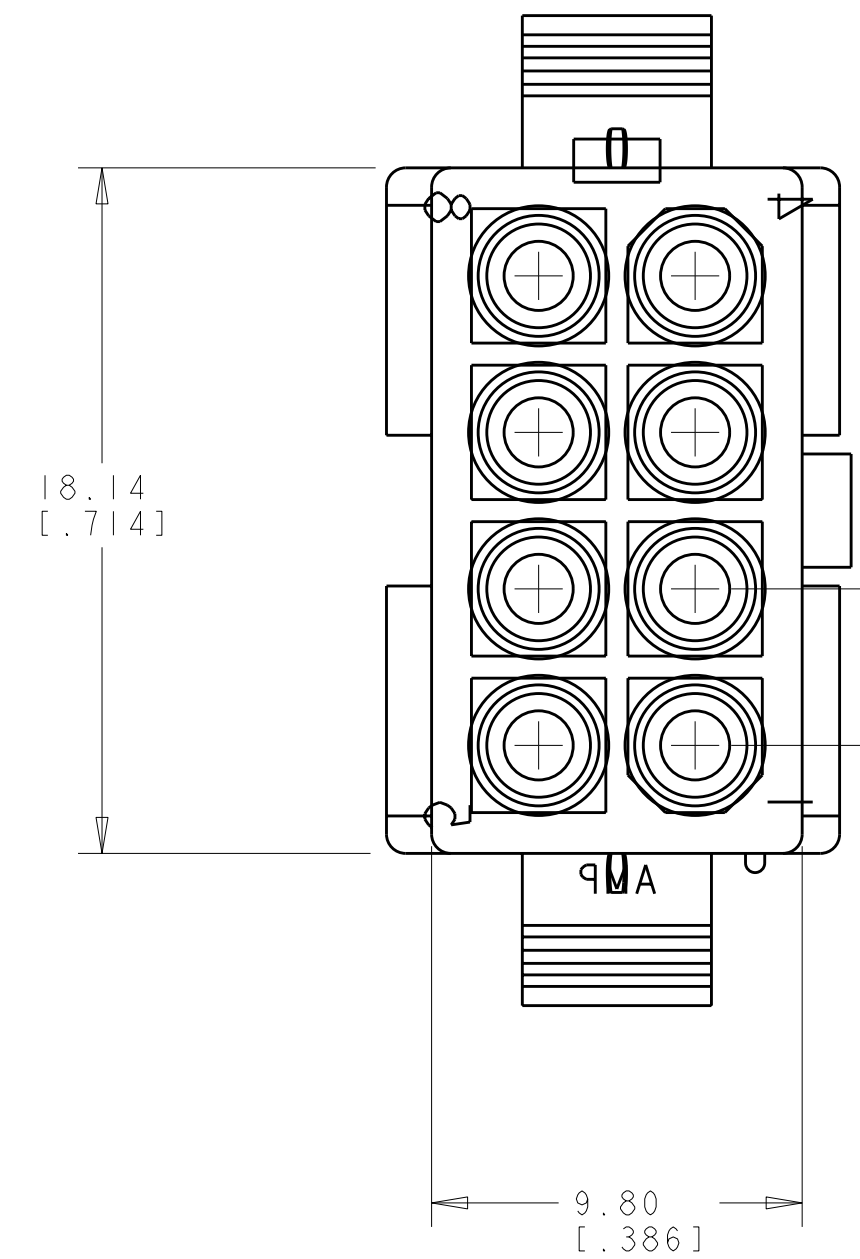


LOC	DIST	REV	DATE	BY	CHK	APPV
CM	00	B2	REV PER ECR 12-008408	01MAY12	JR	TM

1. APPLICABLE CONTACT P/N: 170359, 170360, 170361, 170362.
2. DIMENSIONS IN BRACKETS ARE IN INCHES.
3. RECOMMENDED PANEL THICKNESS TO BE 0.8-2.0 [.031-.079].
4. HOUSING INSERTION INTO THE PANEL CUT OUT MUST BE IN THE SAME DIRECTION AS THE PUNCH.



RECOMMENDED PANEL CUT OUT SCALE 4:1

794941-1
PART NUMBER



<small>THIS DRAWING IS UNPUBLISHED. RELEASED FOR PUBLICATION BY TYCO ELECTRONICS CORPORATION. ALL RIGHTS RESERVED.</small>		DWN: 23-JULY-2001 R. WHITAKER CHK: 23-JULY-2001 C. JONES APPV: 23-JULY-2001 F. JONES	tyco Electronics Tyco Electronics Harrisburg, PA 17105-3608
DIMENSIONS: mm [INCHES]	TOLERANCES UNLESS OTHERWISE SPECIFIED: 9 PLC ± 8 PLC ±0.13 [0.005] 5 PLC ± 4 PLC ± ANGLES ±40°30' FINISH -	NAME: CAP. PRODUCT SPEC: 8 CIRCUIT, SEALED APPLICATION, APPLICATION SPEC: MINI UNIVERSAL MATE-N-LOK™ SIZE: A CAGE CODE: 00779 DRAWING NO: C=794941 WEIGHT: - CUSTOMER DRAWING	RESTRICTED TO: - SCALE: 5:1 SHEET: 1 OF 1 REV: B2